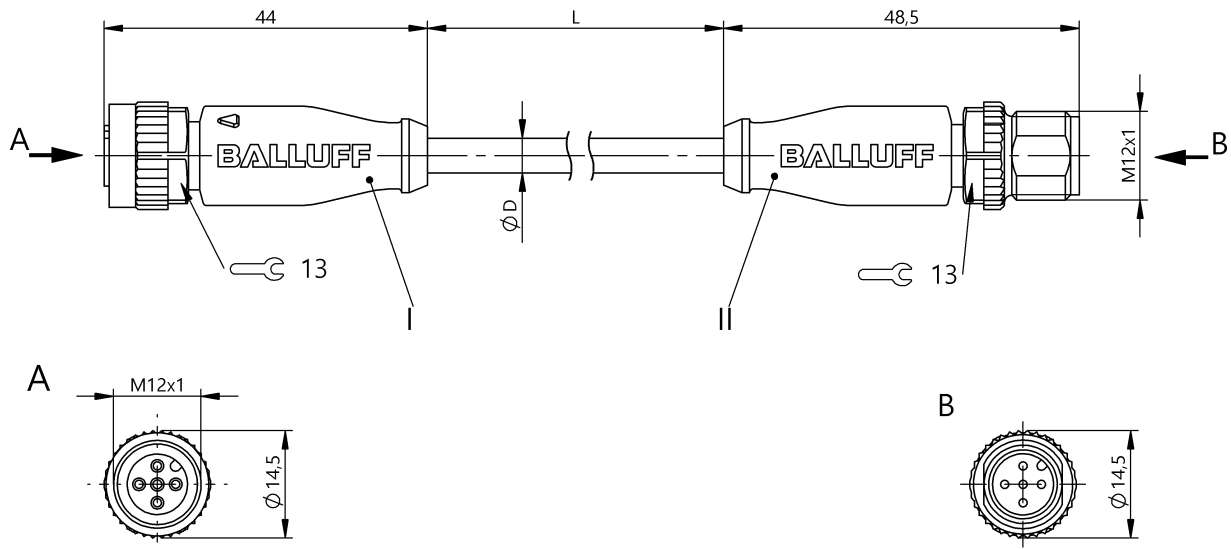


Double-Ended Cordsets  
**BCC M415-M415-3A-313-PW0534-050**  
 Order Code: BCC0AKA

**BALLUFF**



**Basic features**

Application	Welding area
Approval/Conformity	CE cULus WEEE

**Electrical connection**

Bending radius min., fixed cable	5 x D
Bending radius min., flexible cable	10 x D
Cable	PUR welding spark resistant black, 5 m, drag chain compatible
Cable diameter D	4.70 mm ±0.10 mm
Cable, bending cycles min.	10 mil.
Cable, torsion stress	±360°/m
Conductor cross-section	0.34 mm <sup>2</sup>
Connection 1	M12x1-Female, straight, 5-pin, A-coded
Connection 2	M12x1-Male, straight, 5-pin, A-coded
Number of conductors	5
System	Molded/Molded

**Electrical data**

Operating voltage Ub	60 VDC / 60 VAC
Rated current (40 °C)	4.0 A

**Environmental conditions**

Cable temperature UL max., fixed routing	80 °C
Cable temperature UL max., flexible routing	80 °C
Cable temperature, drag chain	-25...60 °C
Cable temperature, fixed routing	-50...90 °C
Cable temperature, flexible routing	-25...90 °C
IP rating	IP67, IP68, IP69K/IP67, IP68, IP69K

**Interface**

Switching output	Complementary
------------------	---------------

**Material**

Cable jacket material, note	welding spark resistant
Cable jacket, material	PUR
Material contact carrier	PUR/PUR
Material contacts	Bronze/Brass
Material cover nut	Die-cast zinc/Die-cast zinc
Material grip	PUR/PUR

Double-Ended Cordsets  
**BCC M415-M415-3A-313-PW0534-050**  
**Order Code: BCC0AKA**



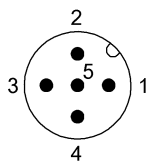
**Mechanical data**

<p><b>Acceleration max., drag chain</b>      5 m/s<sup>2</sup></p> <p><b>Cable jacket, color</b>                    black</p> <p><b>Cable length L</b>                            5.00 m</p> <p><b>Cable properties</b>                         drag chain compatible</p>	<p><b>Horizontal travel permitted, drag chain</b>      5 m</p> <p><b>Tightening torque pigtail</b>                    0.6 Nm/0.6 Nm</p> <p><b>Traverse speed max., drag chain</b>            200 m/min</p> <p><b>Vertical travel permitted, drag chain</b>        2 m</p>
---	---

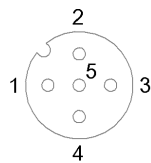
**Remarks**

Cable construction acc. to UL-AWM Style 20549  
 Halogen-free per DIN VDE 0472 Part 815  
 Silicone-free  
 Flame resistance per UL FT2  
 Enclosure rating per IEC 60529 or 20653, only in screwed state with the associated mating piece.

**Connector Drawings**



II  
 PIN 1: brown  
 PIN 2: white  
 PIN 3: blue  
 PIN 4: black  
 PIN 5: green/yellow



I  
 PIN 1: brown  
 PIN 2: white  
 PIN 3: blue  
 PIN 4: black  
 PIN 5: green/yellow

**Wiring Diagrams**

